

S2TM-HA ILLUSTRATED PARTS LIST

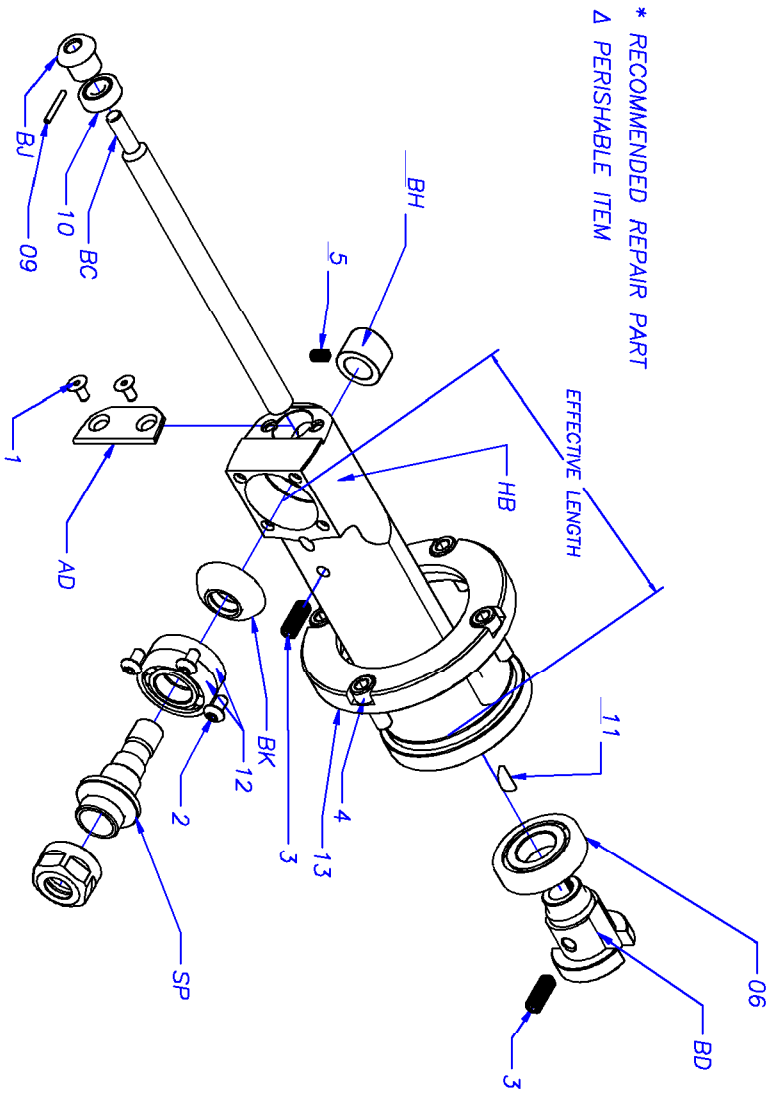
DETAIL	QUANTITY	PART NO	DESCRIPTION
1	2		4-40 X 1/4" FHCS
2	4		6-32 X 1/4" BHCS
3	2		10-32 X 1/4" SHSS
4	4		10-32 X 1/2" SHCS
5	1		6-32 X 3/16" SHSS
* 6	1	0003-06	LOWER DRIVESHAFT BEARING
7			
8			
9	1	2TM-HA-09	1/16" X 1/2" ROLL PIN
* 10	1	003A1-09	UPPER DRIVE SHAFT BEARING
11		2TM-HA-11	#203 WOODRUFF KEY
* 12	1	0003M-12	SPINDLE BEARING SET, ONE SET INCLUDES 2 BEARINGS
13		0001-2D	CLAMP COLLAR
14			
15			
AD	1	2TM-AD	DOVE TAIL TOP COVER
BC	1	003A-BCXX	XX DENOTES LENGTH, SEE CHART
BD	1	0004-BD2	SPIDER
* BH	1	003A-BH	REAR SPINDLE BUSHING
Δ BU	1	G2TD	GEAR, DRIVE
Δ BK	1	G2TS	GEAR, SPINDLE
HB	1	2TM-HXX	XX DENOTES EFFECTIVE LENGTH
SP	1	SEE CHART	SPINDLE

HEAD CHART

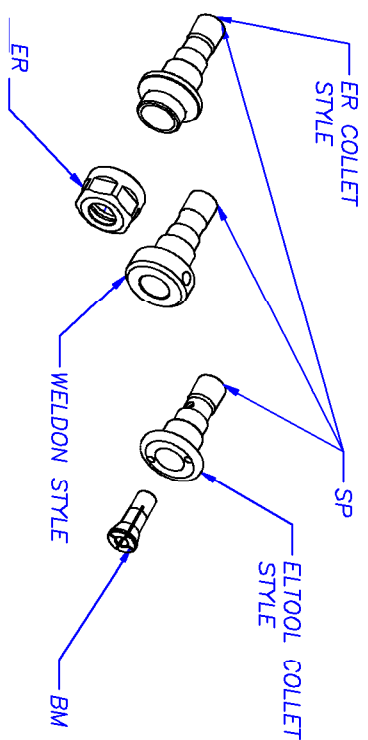
DETAIL	PART NO.	EFFECTIVE LENGTH	DETAIL	DRIVESHAFT
BH	S2TM-H30	3	BC	003A-BC30
BH	S2TM-H40	4	BC	003A-BC40
BH	S2TM-H60	6	BC	003A-BC60
BH	S2TM-H70	7	BC	003A-BC70

SPINDLE CHART

DETAIL	PART NO.	DESCRIPTION
SP	S2MER	SPINDLE ER-11
SP	S2MEL	SPINDLE ELTTOOL COLLET
SP	S2MEL	SPINDLE TAPERLOCK
SP	S2MW125	SPINDLE 1/8 WELDON
SP	S2MW188	SPINDLE 3/16 WELDON
SP	S2MW250	SPINDLE 1/4 WELDON
SP	S2MW312	SPINDLE 5/16 WELDON
SP	S2MW375	SPINDLE 3/8 WELDON
SP	S2WSH	SPINDLE SHELL MILL
SP	S2WSM	SPINDLE SAW MILL
ER	SNE011	ER-11 COLLET NUT
Δ BM	ECL094	3/32 ELTTOOL COLLET
Δ BM	ECL125	1/8 ELTTOOL COLLET
Δ BM	ECL156	5/32 ELTTOOL COLLET
Δ BM	ECL188	3/16 ELTTOOL COLLET



* RECOMMENDED REPAIR PART
Δ PERISHABLE ITEM



ADDITIONAL SIZES, INCLUDING METRIC, ARE AVAILABLE FOR WELDON SPINDLES (UP TO 10MM) AND ELTTOOL COLLETS (UP TO 5MM). PLEASE CONTACT ELTTOOL FOR INFO.

TOLERANCES (UNLESS OTHERWISE NOTED)		REVISIONS		PART NAME	
DECIMAL		NO.	DATE	BY	ELTTOOL
FRACTIONAL					
ANGULAR					
DRAWN BY N TESLA		SCALE NTS		DATE 1/2017	
MATERIAL NA		CUSTOMER ELTTOOL		DRAWING NO. 2TM-HA	