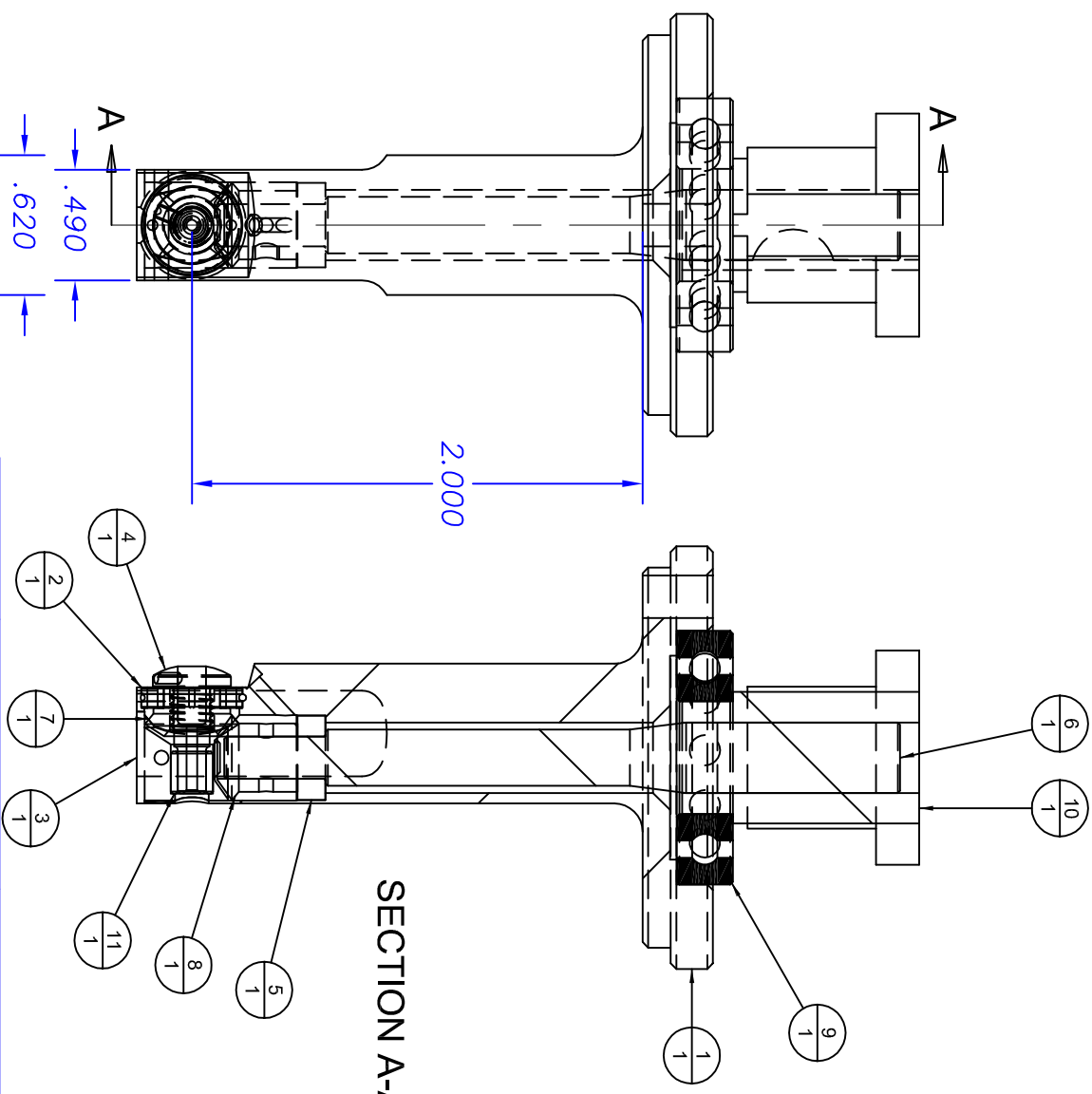


REV	REV DATE	AUTH. DOC.

Item Number	Document Number	Title	Material	Quantity
1	0002	HOUSING	Steel	1
2	0004	FRONT SPINDLE BEARING	Bronze	1
3	00005	END CAP	Bronze	1
4	0001	SPINDLE	Steel	1
5				1
6	0003	DRIVE SHAFT	Steel	1
7				1
8	0007	DRIVE GEAR		1
9				1
10			Steel	1
11	0009	BACK SPINDLE BEARING	Bronze	1



SECTION A-A

- NOTES:
1. ALL DIMENSIONS ARE IN INCHES.
 2. UNLESS OTHERWISE SPECIFIED, ALL DIMENSIONS ARE 1PL +/-.100, 2PL +/-.030 AND 3PL +/- .005
 3. UNLESS OTHERWISE SPECIFIED, ALL HOLES Ø ARE +.004/-.002.
 4. UNLESS OTHERWISE SPECIFIED, ALL ANGLES ARE ±1°.
 5. MATERIAL:
 6. FINISH/COLOR:
 7. GEOMETRY NOT DIMENSIONED IS DEFINED BY 3D CAD MODEL.

TOLERANCES (UNLESS OTHERWISE NOTED)		REVISIONS		PART NAME	
DECIMAL	:	NO.	DATE	BY	<i>Ettool Corp</i>
3 PLACES	:				
2 PLACES	:				
FRACTIONAL	:				Size 0 head
+					DRAWN BY
ANGULAR	+				FG
					MATERIAL
					MATERIAL
					CUSTOMER
					CUSTOMER
					DRAWING NO.
					Size0-HA
					SCALE
					full
					DATE
					10/12