
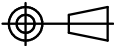


NOTE: 1M-ST-8 SHOWN

 ELTOOL CORPORATION 1400 PARK AVENUE EAST MANSFIELD, OH 44905 1-877-435-8665	DWG NUMBER		TITLE		UNITS = INCHES UNLESS OTHERWISE NOTED	TOLERANCE UNLESS OTHERWISE NOTED	
	1M-HA		1M HEAD ASSEMBLY		<small>INFORMATION CONTAINED IN THIS DRAWING IS CONFIDENTIAL. DISCLOSING THIS INFORMATION WITHOUT ELTOOL'S WRITTEN PERMISSION IS FORBIDDEN.</small>	0.000	± .001
	DRAWN BY	KIRK BATTEN	MATERIAL			COATING	0.0000
	DATE	5/31/2022	SEE PARTS LIST		-	ANGLES ± 0.5°	
		QTY	-	REV.	-	THIRD ANGLE PROJECTION	
					DO NOT SCALE		

PARTS LIST			
ITEM	QTY	PART NUMBER	DESCRIPTION
1	1	G1MD	ELTOOL - 1M DRIVE GEAR
2	1	S1MER8	ELTOOL - 1M ER-8 SPINDLE
3	1	SEE HOUSING LIST	ELTOOL - 1M HOUSING
4	1	G1MS	ELTOOL - 1M SPINDLE GEAR
5	1	S1M-AD	ELTOOL - DOVETAILED COVER
6	1	0004-02	ELTOOL - DRIVESHAFT BEARING R166
7	1	SEE COLLET LIST	ELTOOL - ELTOOL COLLET
8	1	S1MEL	ELTOOL - ELTOOL COLLET SPINDLE
9	2	0004-05M	ELTOOL - FRONT SPINDLE BEARING
10	1	0004-09	ELTOOL - R8 BEARING
11	1	9602-AK	ELTOOL - REAR SPINDLE BEARING
12	1	S1M-HA-09	ELTOOL - ROLL PIN Ø.063 X .5LG
13	1	0003-BE	ELTOOL - SIZE 1 & 2 CLAMP COLLAR
14	1	ELC1-S	ELTOOL - SIZE 1 COLLET SCREW
15	1	SEE DRIVESHAFT LIST	ELTOOL - SIZE 1 DRIVESHAFT
16	1	0004-BD2	ELTOOL - SIZE 1 SPIDER
17	1	S1MTL	ELTOOL - TAPERLOCK SPINDLE
18	1	SEE WELDON SPINDLE LIST	ELTOOL - WELDON SPINDLE
19	4	64002	HOLLO-KROME - BHCS - #4-40UNC X .25 LG
20	1	32028	HOLLO-KROME - SET SCREW #4-40UNC X .375 LG
21	4	73036	HOLLO-KROME - SHCS - #10-32UNF X .5 LG
22	2	91253A104	McMASTER - FHCS - #4-40UNC - .1875LG
23	1	67989244	MSC - #203 WOODRUFF KEY
24	1	3508.00000	REGO-FIX - ER-8 ERM COLLET NUT

HOUSING LIST		
ITEM	PART NUMBER	"L"
3	S1M-HB15	1"
3	S1M-HB30	3"
3	S1M-HB45	4.5"
3	S1M-HB60	6"
3	S1M-HB80	8"

DRIVESHAFT LIST		
ITEM	PART NUMBER	"L"
15	0004-DC15	1"
15	0004-DC30	3"
15	0004-DC45	4.5"
15	0004-DC60	6"
15	0004-DC80	8"

SERIAL NUMBER DEFINITION

"HXXXX-1M-X"

HXXXX = SERIAL NUMBER

1M = HEAD MODEL

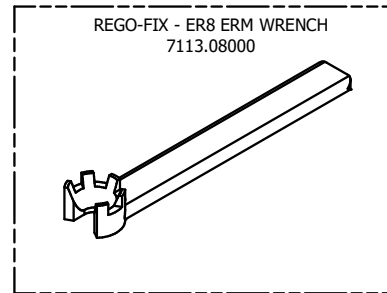
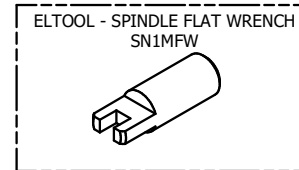
X = HEAD LENGTH (L)

ELTOOL

ELTOOL CORPORATION
1400 PARK AVENUE EAST
MANSFIELD, OH 44905
1-877-435-8665

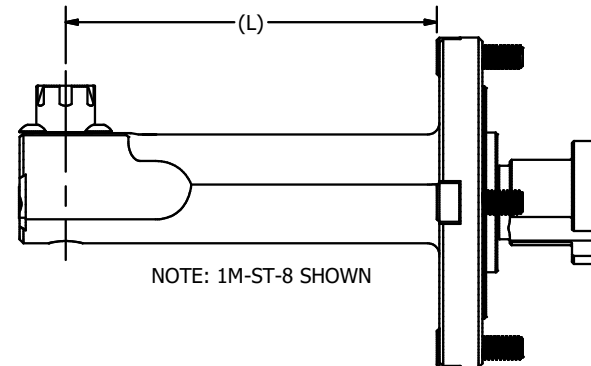
DWG NUMBER		TITLE		UNITS = INCHES UNLESS OTHERWISE NOTED	TOLERANCE UNLESS OTHERWISE NOTED
1M-HA		1M HEAD ASSEMBLY		INFORMATION CONTAINED IN THIS DRAWING IS CONFIDENTIAL. DISCLOSING THIS INFORMATION WITHOUT ELTOOL'S WRITTEN PERMISSION IS FORBIDDEN.	0.000 ± .001
DRAWN BY	KIRK BATTEN	MATERIAL	SEE PARTS LIST		0.0000 ± .0005
DATE	5/31/2022	QTY	REV.	COATING	ANGLES ± 0.5°
		-	-	DO NOT SCALE	THIRD ANGLE PROJECTION

SPECIALTY TOOLS

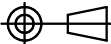


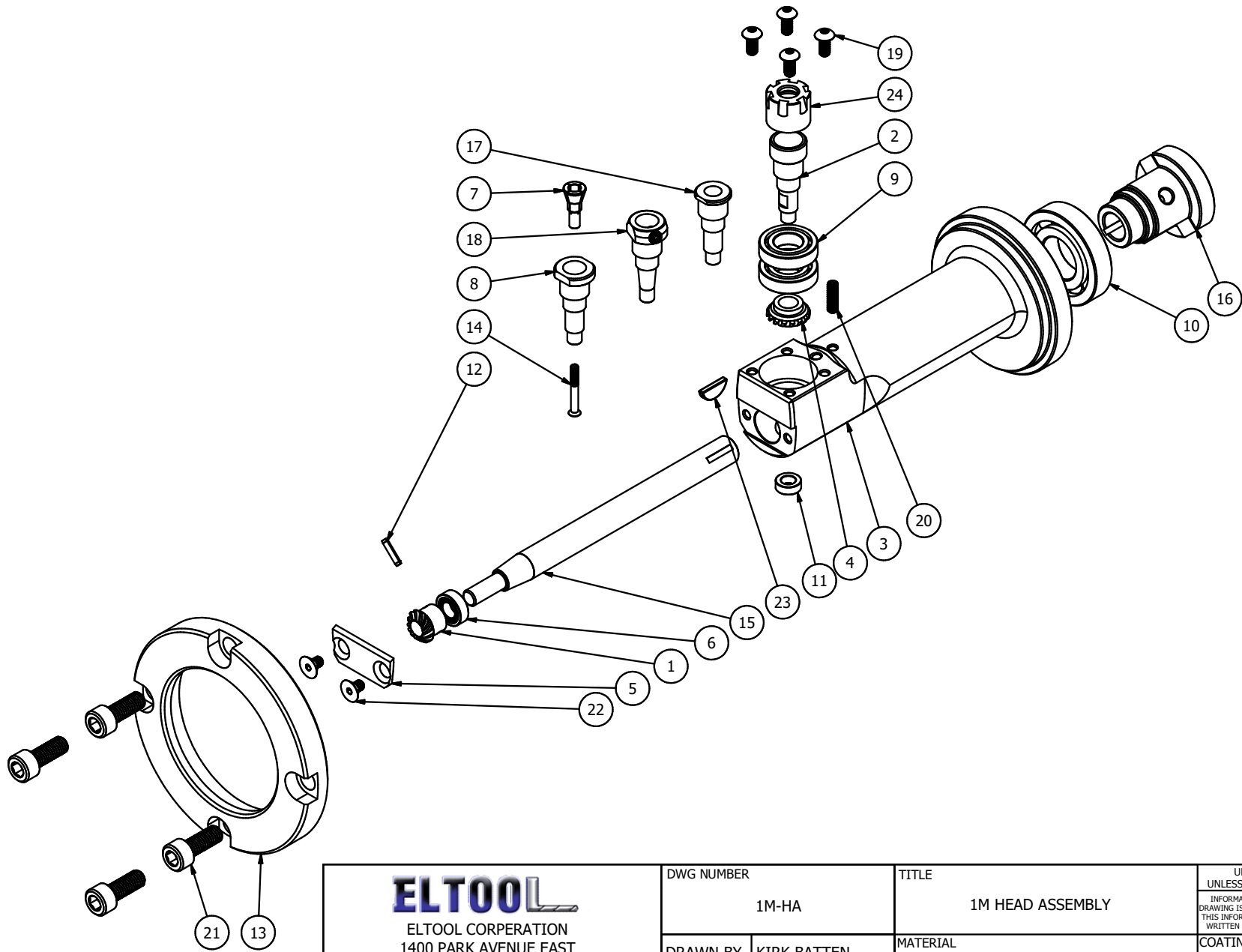
WELDON SPINDLE LIST		
ITEM	PART NUMBER	WELDON SIZE
18	S1MW125	1/8"
18	S1MW1875	3/16"
18	S1MW250	1/4"
18	S1M2653	.2653"
18	S1MW4MM	4mm
18	S1MW6MM	6mm

COLLET LIST		
ITEM	PART NUMBER	COLLET SIZE
7	ELC1-064	1/16"
7	ELC1-094	3/32"
7	ELC1-125	1/8"
7	ELC1-156	5/32"
7	ELC1-188	3/16"
7	ELC1-098	.098" (#40)
7	ELC1-3MM	3mm
7	ELC1-3.3MM	3.3mm



NOTE: 1M-ST-8 SHOWN

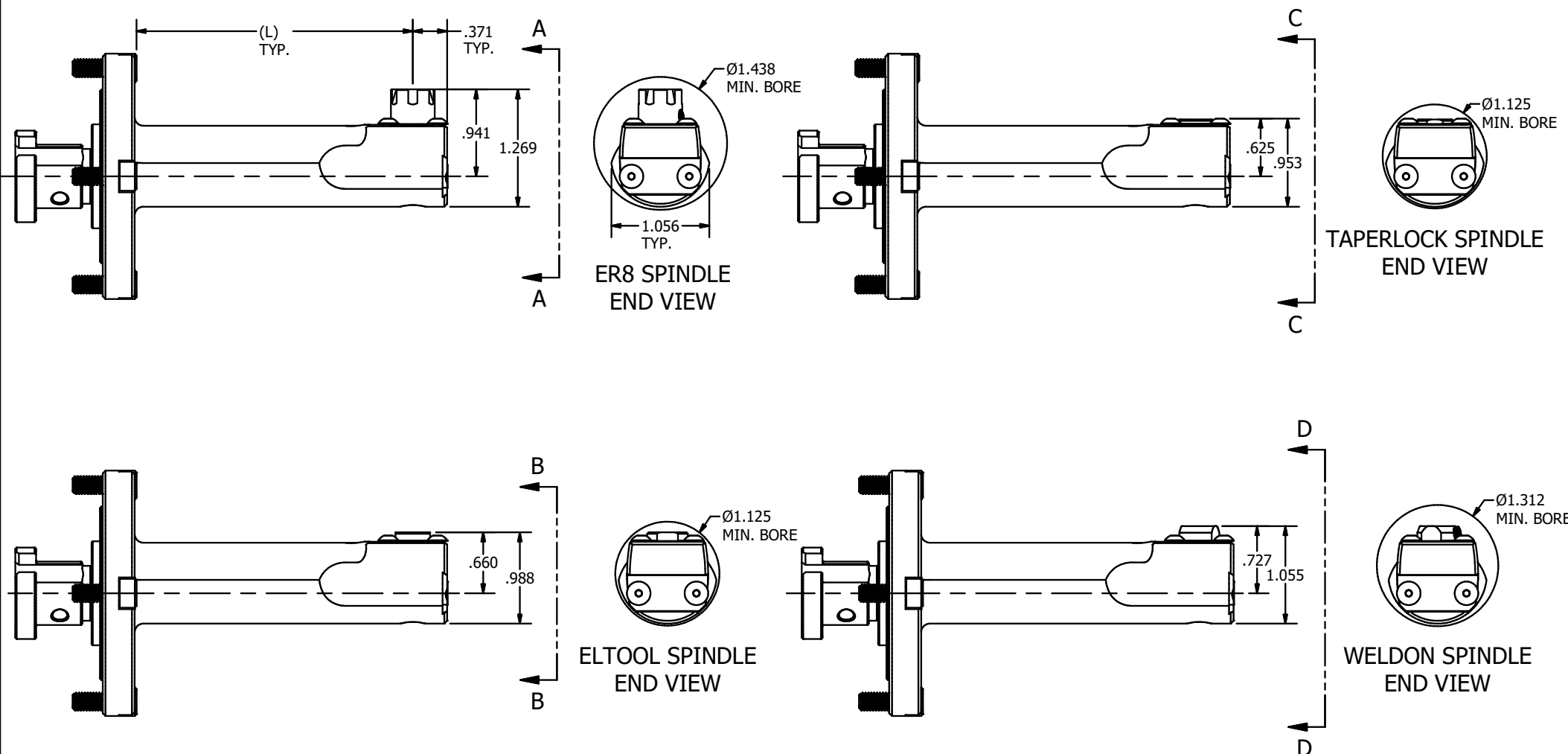




ELTOOL

ELTOOL CORPORATION
 1400 PARK AVENUE EAST
 MANSFIELD, OH 44905
 1-877-435-8665

DWG NUMBER		TITLE		UNITS = INCHES UNLESS OTHERWISE NOTED		TOLERANCE UNLESS OTHERWISE NOTED	
1M-HA		1M HEAD ASSEMBLY		INFORMATION CONTAINED IN THIS DRAWING IS CONFIDENTIAL. DISCLOSING THIS INFORMATION WITHOUT ELTOOL'S WRITTEN PERMISSION IS FORBIDDEN.		0.000	± .001
DRAWN BY	KIRK BATTEN	MATERIAL		COATING		0.0000	± .0005
DATE	5/31/2022	SEE PARTS LIST		-		ANGLES ± 0.5°	
		QTY	REV.	DO NOT SCALE		THIRD ANGLE PROJECTION	
		-	-				



<p>ELTOOL CORPORATION 1400 PARK AVENUE EAST MANSFIELD, OH 44905 1-877-435-8665</p>	DWG NUMBER		TITLE		UNITS = INCHES UNLESS OTHERWISE NOTED	TOLERANCE UNLESS OTHERWISE NOTED	
	1M-HA		1M HEAD ASSEMBLY		<small>INFORMATION CONTAINED IN THIS DRAWING IS CONFIDENTIAL. DISCLOSING THIS INFORMATION WITHOUT ELTOOL'S WRITTEN PERMISSION IS FORBIDDEN.</small>	0.000 ± .001	0.0000 ± .0005
	DRAWN BY	KIRK BATTEN	MATERIAL			COATING	ANGLES ± 0.5°
	DATE	5/31/2022	SEE PARTS LIST		-		
		QTY	-	REV.	-	DO NOT SCALE	